

50 BG series

x50x15mm



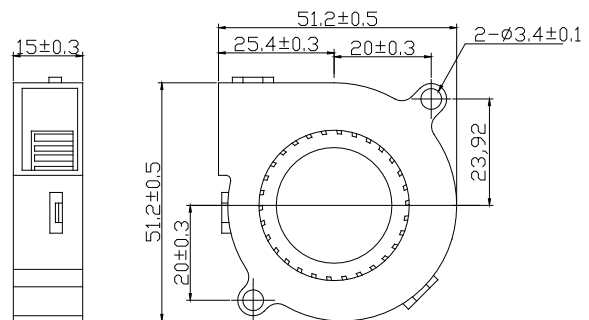
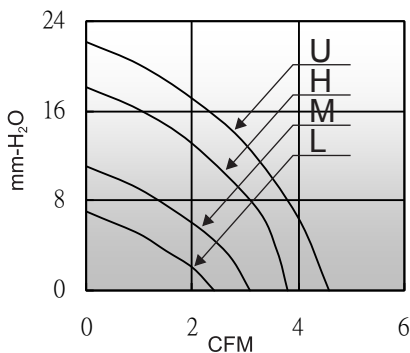
General Specifications

- Motor : 4 Poles brushless DC motor
- Frame & Impeller : Plastic (UL 94V-0)
- Storage temperature : -40° to +75°
- Operating temperature : -10° to +70°

Major Characteristic Parameters

Model	Bearing System	Rated Voltage	Operating Voltage Range	Rated Current	Rated Speed	Maximum Air Flow		Maximum Static Pressure		Sound Level	Weight
Part NO.	B / S / F	V	V	A	RPM	m ³ /min	CFM	mm-H ₂ O	In-H ₂ O	dBA	g
BGE05115_05L	B/S	5	4.5~5.5	0.28	3500	0.067	2.35	7.0	0.26	27.0	26
BGE05015_12L	B/S	12	7.0~13.2	0.20	3500	0.067	2.35	7.0	0.26	27.0	26
BGE05115_05M	B/S	5	7.0~13.2	0.34	4500	0.089	3.14	11.2	0.44	32.5	26
BGE05015_12M	B/S	12	7.0~13.2	0.25	4500	0.089	3.14	11.2	0.44	32.5	26
BGE05015_24M	B/S	24	14.0~26.4	0.20	4500	0.089	3.14	11.2	0.44	32.5	26
BGE05115_05H	B/S	5	7.0~13.2	0.39	5500	0.107	3.77	18.1	0.71	37.2	26
BGE05015_12H	B/S	12	7.0~13.2	0.30	5500	0.107	3.77	18.1	0.71	37.2	26
BGE05015_24H	B/S	24	14.0~26.4	0.25	5500	0.107	3.77	18.1	0.71	37.2	26
BGE05015_12U	B/S	12	7.0~13.2	0.35	6500	0.130	4.60	22.0	0.87	45.3	26
BGE05015_24U	B/S	24	14.0~26.4	0.30	6500	0.130	4.60	22.0	0.87	45.3	26

*Bearing system B: Two Ball Bearing F: Fluid Bearing S: Sleeve Bearing



unit:mm